

06025VC Aluminum

60[□]X25^L

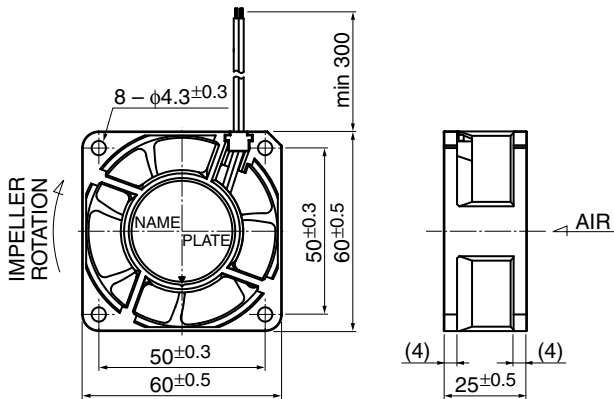
DC Axial Fan



General Specifications

Motor Protection	Auto Restart / Polarity Protection
Insulation Resistance	10MΩ or over with a DC500V Megger
Dielectric Withstand Voltage	: AC700V 1s
Allowable Ambient Temperature Range	: -10°C ~ + 85°C (Operating) - 40°C ~ + 85°C (Storage) non-condensing environment

Outline



Expected Life

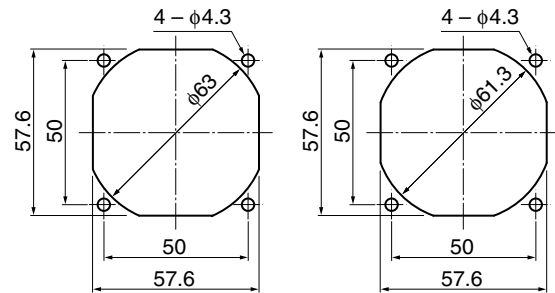
※ Failure Rate: 10% (L10 Life)

85°C 40,000 (Hours)

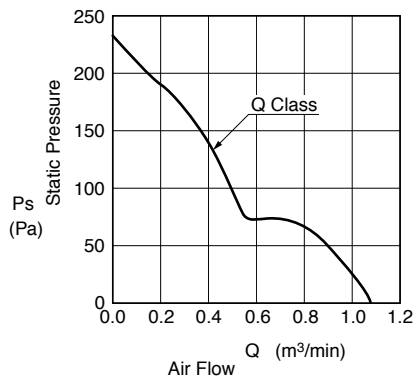
Panel Out-cuts

(Inlet Side)

(Outlet Side)



Characteristic Curves



Material

Casing	: Aluminum (No Paint)
Impeller	: Plastic (Black) UL94V-0
Bearing	: Ball Bearing
Lead Wire	: UL3266 AWG24 ++: Red, -: Black

Customize service for IP compatible type and Oil-proof type is available for this item. Please contact to our sales representative for more detail.

Specifications

Model	Product No.	Rating Voltage	Operating Voltage	Current	Input Power	Speed	Max. Air Flow		Max. Static Pressure	Noise	Mass	
		(V)	(V)	(A)*1	(W)*1	(min ⁻¹)*1	(m ³ /min)*1	(CFM)*1	(Pa)*1	(In H ₂ O)*1	(dB)*1	(g)
06025VC-12Q-WA-	A0	12	10.0 ~ 13.2	0.55	6.60	9200	1.09	38.5	235.0	0.94	53.0	90
06025VC-24Q-WA-	A0	24	10.0 ~ 26.0	0.25	6.00	9200	1.09	38.5	235.0	0.94	53.0	

Rotation: Clockwise as seen from the label side
Airflow Outlet: Label side

*1: Average Values in Free Air